

PODMICUSB

QUICK START GUIDE

Schnellstartanleitung

Guide De Démarrage Rapide

Guida Rapida

Guía De Inicio Rápido

Przewodnik Szybkiego Startu

Snelle Startgids

Snabbstartsguide

Panduan Memulai Cepat

RØDE

ENGLISH

1. Mount your PodMic USB on a stand or boom arm
2. Use the XLR output to connect to an audio interface or mixer

OR

Use the USB-C output to connect to your computer, tablet or phone, and the 3.5mm headphone output for monitoring

3. Slide the pop filter onto the microphone for additional protection from plosives

Download RØDE Central to apply processing to USB audio and update your firmware

rode.com/apps/rode-central

GERMAN

1. Befestigen Sie Ihr PodMic USB auf einem Ständer oder Ausleger.
2. Verwenden Sie den XLR-Ausgang, um ihn mit einem Audio-Interface oder Mixer zu verbinden.

ODER

Verwenden Sie den USB-C-Ausgang, um ihn mit Ihrem Computer, Tablet oder Telefon zu verbinden, und den 3,5-mm-Kopfhörerausgang zum Monitoring.

3. Schieben Sie den Pop-Filter auf das Mikrofon für zusätzlichen Schutz vor Explosivlauten.

Laden Sie RØDE Central herunter, um die Verarbeitung für USB-Audio anzuwenden und Ihre

Firmware zu aktualisieren:

rode.com/apps/rode-central

FRENCH

1. Montez votre PodMic USB sur un support ou un bras de suspension.
2. Utilisez la sortie XLR pour la connecter à une interface audio ou à une table de mixage.

OU

Utilisez la sortie USB-C pour la connecter à votre ordinateur, tablette ou téléphone, et la sortie casque 3,5 mm pour le monitoring.

3. Glissez le filtre anti-pop sur le microphone pour une protection supplémentaire contre les plosives.

Téléchargez RØDE Central pour appliquer un traitement à l'audio USB et mettre à jour votre firmware: rode.com/apps/rode-central

ITALIAN

1. Monta il tuo PodMic USB su un supporto o un braccio snodato.
2. Usa l'uscita XLR per collegarla a un'interfaccia audio o a un mixer.

O

Usa l'uscita USB-C per collegarla al tuo computer, tablet o telefono, e l'uscita cuffie da 3,5 mm per il monitoraggio.

3. Inserisci il filtro anti-pop sul microfono per una

protezione aggiuntiva contro le plosive.

Scarica RØDE Central per applicare elaborazioni all'audio USB e aggiornare il firmware:

rode.com/apps/rode-central

SPANISH

1. Monta tu PodMic USB en un soporte o brazo giratorio.

2. Utiliza la salida XLR para conectarla a una interfaz de audio o mezcladora.

O

Utiliza la salida USB-C para conectarla a tu ordenador, tableta o teléfono, y la salida de auriculares de 3,5 mm para el monitoreo.

3. Desliza el filtro antipop sobre el micrófono para una protección adicional contra las explosivas.

Descarga RØDE Central para aplicar procesamiento al audio USB y actualizar tu firmware:

rode.com/apps/rode-central

POLISH

1. Zamocuj swój PodMic USB na statywie lub ramieniu.

2. Użyj wyjścia XLR, aby podłączyć go do interfejsu audio lub miksera.

LUB

Użyj wyjścia USB-C, aby podłączyć go do komputera, tabletu lub telefonu, a wyjście słuchawkowe 3,5 mm do monitorowania.

3. Wsuń filtr przeciwwstrząsowy na mikrofon dla dodatkowej ochrony przed wybuchami dźwięków.

Pobierz RØDE Central, aby przetwarzać dźwięk USB i aktualizować oprogramowanie:

rode.com/apps/rode-central

DUTCH

1. Monteer je PodMic USB op een standaard of zwenkarm.

2. Gebruik de XLR-uitgang om deze aan te sluiten op een audio-interface of mixer.

OF

Gebruik de USB-C-uitgang om deze aan te sluiten op je computer, tablet of telefoon, en de 3,5 mm hoofdtelefoonuitgang voor monitoring.

3. Schuif de popfilter op de microfoon voor extra bescherming tegen plofklanken.

Download RØDE Central om verwerking op USB-audio toe te passen en je firmware bij te werken:

rode.com/apps/rode-central

SWEDISH

1. Montera din PodMic USB på ett stativ eller bomarm.

2. Använd XLR-utgången för att ansluta till en ljudenhet eller mixer.

ELLER

Använd USB-C-utgången för att ansluta till

din dator, surfplatta eller telefon, och 3,5 mm hörlursuttag för övervakning.

3. Skjut på popfiltret på mikrofonen för extra skydd mot plosiver.

Ladda ner RØDE Central för att tillämpa bearbetning på USB-ljud och uppdatera din firmware:

rode.com/apps/rode-central

INDONESIAN

1. Pasang PodMic USB Anda pada stand atau lengan boom
2. Gunakan output XLR untuk menghubungkan ke antarmuka audio atau mixer
ATAU
Gunakan output USB-C untuk menghubungkan ke komputer, tablet atau telepon Anda, dan output headphone 3.5mm untuk pemantauan
3. Geser filter pop ke mikrofon untuk perlindungan tambahan dari plosif

Unduh RØDE Central untuk menerapkan pemrosesan ke audio USB dan memperbarui firmware Anda di

rode.com/apps/rode-central

NORTH AMERICA

This device complies with Part 15 of the FCC Rules. Operation is subject to the following two conditions: (1) this device may not cause harmful interference, and (2) this device must accept any interference received, including interference that

may cause undesired operation.

Please note that changes or modifications of this product is not expressly approved by the party responsible for compliance could void the user's authority to operate the equipment.

NOTE: This equipment has been tested and found to comply with the limits for a Class B digital device, pursuant to Part 15 of the FCC Rules. These limits are designed to provide reasonable protection against harmful interference in a residential installation. This equipment generates, uses and can radiate radio frequency energy and, if not installed and used in accordance with the instructions, may cause harmful interference to radio communications. However, there is no guarantee that interference will not occur in a particular installation.

If this equipment does cause harmful interference to radio or television reception, which can be determined by turning the equipment off and on, the user is encouraged to try to correct the interference by one or more of the following measures:

- Reorient or relocate the receiving antenna
- Increase the separation between the equipment and receiver
- Connect the equipment into an outlet on a circuit different from that to which the receiver is connected

-- Consult the dealer or an experienced radio/TV technician for help

CAN ICES-3 (B) / NMB-3 (B)

USA



SOUTH KOREA



ID: R-R-R72-PodMic-USB

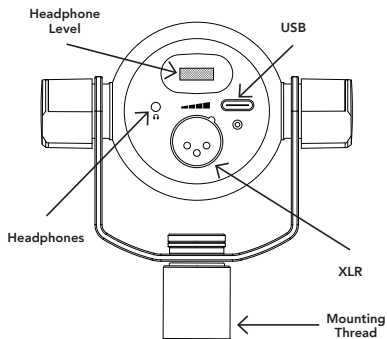
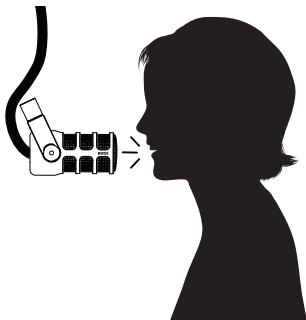
Company Name: RØDE Microphones

Model: PodMic USB

Country of Origin: Australia

POWER

48Vdc, 0.1A or 5Vdc, 0.5A



To prevent possible hearing damage, do not listen at high volume levels for long periods.



FR

Cet appareil
se recycle

À DÉPOSER
EN MAGASIN



OU

À DÉPOSER
EN DÉCHÈTERIE



Points de collecte sur www.quefairemesdechets.fr
Privilégiez la réparation ou le don de votre appareil !



FR

EMBALLAGES CARTON ET
GUIDE DE SECURITE A
RECYCLER



RØDE Microphones:

107 Carnarvon St, Silverwater NSW 2128, Australia

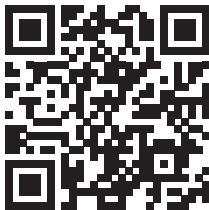
Authorised UK Representative:

RØDE UK, Unit A, 23-25 Sunbeam Rd, London
NW10 6JP, United Kingdom

Authorised EU Representative:

RØDE EU, Neukirchner Str. 18, 65510 Hünstetten,
Germany

SCAN FOR MORE INFO



View the user guide to learn more

Sehen Sie sich das Benutzerhandbuch an,
um mehr zu erfahren

Consultez le guide de l'utilisateur pour en savoir plus

Consulta la guida per l'utente per saperne di più

Consulte la guía del usuario para
obtener más información

Zapoznaj się z przewodnikiem użytkownika,
aby dowiedzieć się więcej

Bekijk de gebruikershandleiding voor meer informatie

Se användarhandboken för att lära dig mer

Lihat panduan pengguna untuk mempelajari lebih lanjut



rode.com

0927-0827-02-10